

2018

COMMENCAL SUPREME JUNIOR SHINY ALU 2018



SPECS

FRAME	2018 SUPREME JR 6066 alloy hydroformed
SHOCK	ROCK SHOX Monarch RT 200 x 57 mm
FORK	ROCK SHOX YARI RC, 160 mm, boost 110 x 15 mm stealth axle, tapered
HEADSET	RIDE ALPHA ZS44 / ZS56
STEM	NEW RIDE ALPHA, aluminum 6061, 40 mm, 31.8 mm, 0° angle
BAR	RIDE ALPHA K45s, alloy 6061, 0.75° rise, 760 mm, 31.8 mm
GRIPS	RIDE ALPHA, ergonomic grips, plastic one lock, super soft compound
BRAKES	SRAM LEVEL, 200 mm / 180 mm
SHIFTERS	SRAM NX 1 x 11 speed
FRONT / REAR MECH	/ / SRAM NX 11 speed
BOTTOM BRACKET	SRAM GXP Press Fit BB92
CRANKSET	SRAM NX X-Sync, 30T, 165 mm
CHAIN	SRAM PC 1110
CASSETTE	SRAM PG 1130, 11:42T, 11 speed
RIMS	WTB STP i29, 32 holes, double wall, tubeless ready, 29 mm inner width
HUBS	FORMULA DH, 32 holes, sealed bearings
SPOKES / NIPPLES	PILLAR Spokes, Stainless steel, 2 mm / black, Nylock
TYRES	MAXXIS HR11 27.5" x 2.4" EXO / TR / 2C front and MAXXIS HR11 27.5" x 2.4" EXO / TR / 2C rear
SEATPOST	KS E-30i-S, 31.6 mm, 100 mm travel, southpaw alloy lever
SADDLE	RIDE ALPHA 245 mm, CMo rails
WEIGHT	14.7 kg
PEDALS INCLUDED	No
ACCESSORIES	Chainstay protector, seatstay protector

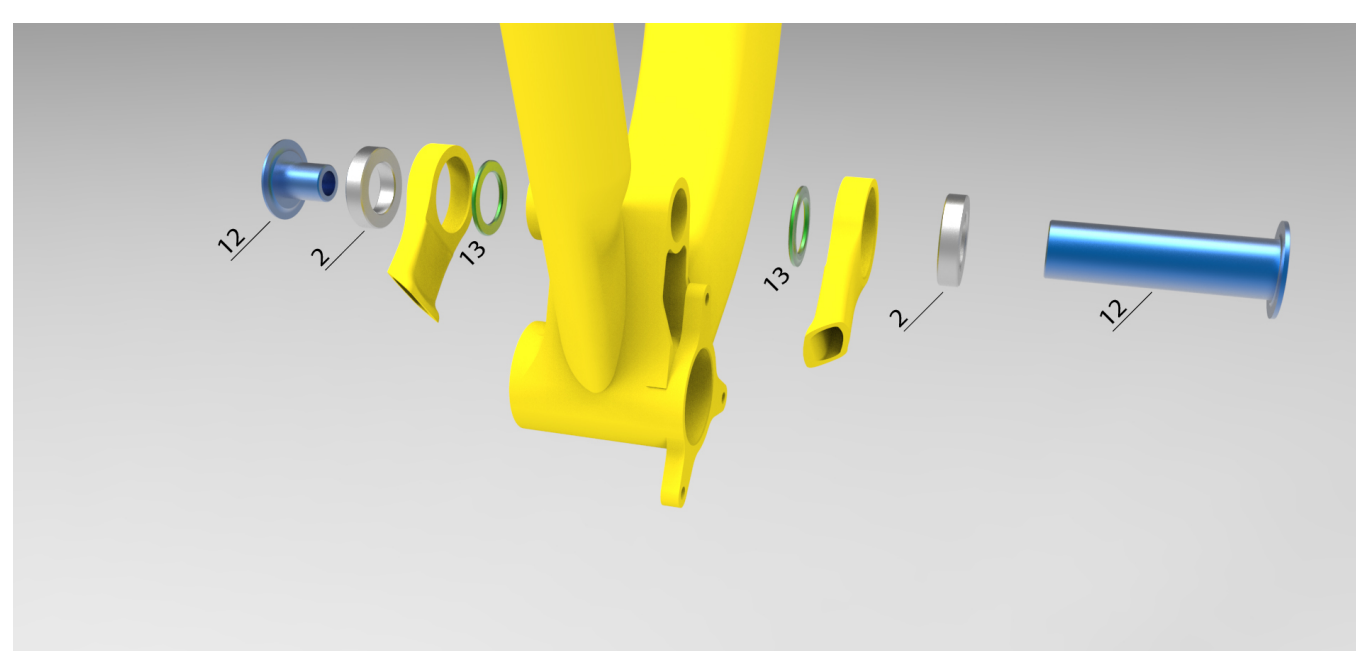
TECH

BICYCLE TYPE	DH / Freeride full suspension
FRAME MATERIAL	NEC + ULTRA SL (6066 Triple Butted)
SHOCK TRAVEL	150 mm
SHOCK LENGTH / STROKE	200 x 57 mm
PIGGY BACK SHOCK COMPATIBLE	No
SHOCK BUSHINGS	22.2 x 10 mm
RECOMMENDED / MAX FORK HEIGHT	555 mm
HEADSET DIMENSION	ZS44 / ZS56
HEADSET TYPE	Semi-integrated ZS44 / ZS56
MAXIMUM TYRE DIMENSION (ETRTO)	0
DISC BRAKE STANDARD	Postmount 160 mm
REAR ROTOR MAX SIZE	180 mm
SEATPOST / SEAT CLAMP DIAMETER	31.6 mm / 34.9 mm
BOTTOM BRACKET TYPE	Press Fit BB92
ISCG	ISCG05
FRONT DERAILLEUR TYPE	No
REAR HUB COMPATIBILITY	142 x 12 mm

SPOKE LENGTH

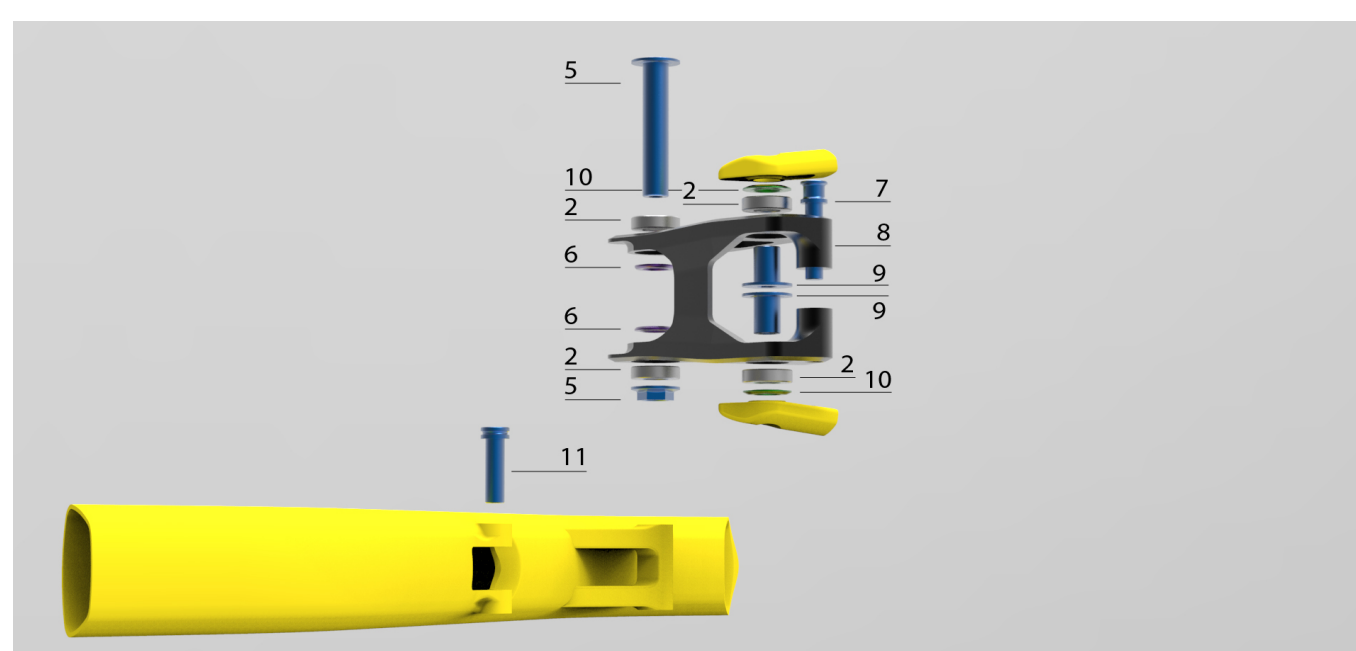
WHEEL	NON DRIVE SIDE / LEFT	DRIVE SIDE / RIGHT
FRONT	271 mm	272 mm
REAR	272 mm	271 mm

Main Pivot



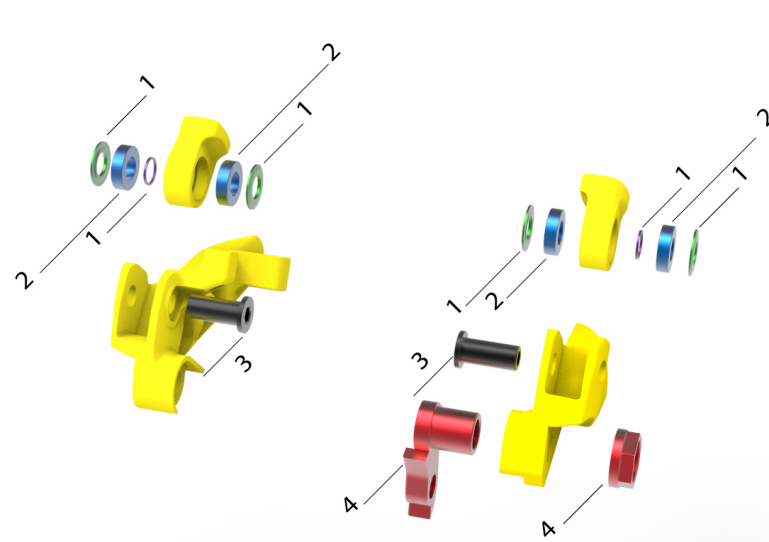
Index	Ref	Nom	Photo
12	W15AXLEMNPVT	KIT PIVOT PRINCIPAL POUR META V4	30-35 N.m
13	W15WASHMNPVT	RONDELLES PIVOT PRINCIPAL META V4 ET V4.2	
2	W19EBSUP24JRV4	ROULEMENTS ENDURO BEARINGS SUPREME V4 24 / JR	2 x 6804 / 4 x 6902 / 4 x 6800

Contact System



Index	Ref	Nom	Photo
10	W17M42WASHERCKSS	RONDELLES BASCULEUR / HAUBANS META V4 ET V4.2	
11	W17AXLESHTT	AXE AMORTISSEUR / TRIANGLE AVANT META V4 / V4.2	9 - 12 N.m
2	W19EBSUP24JRV4	ROULEMENTS ENDURO BEARINGS SUPREME V4 24 / JR	2 x 6804 / 4 x 6902 / 4 x 6800
5	W15SUPKV4AXLERKFT	AXE BASCULEUR / TRIANGLE AVANT SUPREME 24 ET JR V4	10-15 N.m
6	W15SUPKV4WASHERRKF	RONDELLES BASCULEUR / TRIANGLE AVANT SUPREME 24 V4 ET JR V4	
7	W12AXLESHYO	AXE AMORTISSEUR / TRIANGLE ARRIERE SUPREME DH V3 / META V3	12 N.m
8	W15SUPKV4ROCKER	BASCULEUR SUPREME 24 ET JR V4	
9	W15SUPKV4BOLTRKSS	AXE BASCULEUR / HAUBANS SUPREME 24 ET JR V4	10-15 N.m

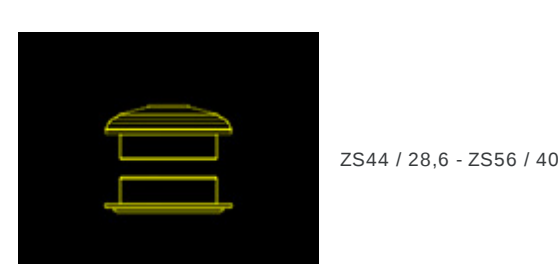
Chainstays / Seatstays



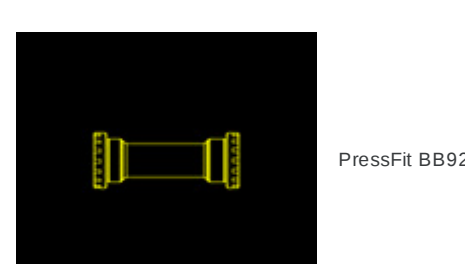
Index	Ref	Nom	Photo
1	W15WASHSTKIT	RONDELLES BASES / HAUBANS META V4 ET V4.2	
2	W19EBSUP24JRV4	ROULEMENTS ENDURO BEARINGS SUPREME V4 24 / JR	2 x 6804 / 4 x 6902 / 4 x 6800
3	W15AXLESTCS	AXES BASES / HAUBANS META V4, V4.2 ET META POWER	10-15 N.m
4	W15RHRMETA	PATTE DE DERAILLEUR META HT / V4 / V4.2 / POWER / 29 / SUPREME SX	15 N.m

PARTS

Headset



Bottom Bracket



Rear hanger



FreeHub Body

