

---

## COMMENCAL META TRAIL RACE 650B ORANGE 2015



<https://tech.commencal.com/tech/index.php?fiche=147&lang=>

### SPECS

---

**FRAME /** NEW 2015 META Trail 650b, travel 120mm, 6066 Triple Butted hydroformed, Integrated Postmount, Top tube channel, Integrated housing

**SHOCK /** ROCKSHOX Monarch RT3, 190x51, Travel 120mm, 3 positions Lock/Platform/Open

**FORK /** ROCKSHOX Sid RCT3 Solo Air, Low speed compression and 3 positions adjustment, Travel 120mm, 15mm axle, Tapered

**HEADSET /** Semi integrated,tapered ZS44/56,

**STEM /** ALPHA, Alloy 7075 double butted, 30mmrise, 730mm, Ø31,8mm

**BAR /** ALPHA, Alloy 7075 double butted, 30mmrise, 730mm, Ø31,8mm

**GRIPS /** COMMENCAL lock on, Ø30mm, soft compound, Neon Orange logo

**BRAKES /** FORMULA NEW CR3, 180mm/160mm, with matchmaker

**SHIFTERS /** SRAM X1 1x11 spd

**REAR MECH /** SRAM X1 11 spd Type II

**BOTTOM BRACKET /** RACE FACE BB92, sealed bearings

**CRANKS /** RACE FACE Turbine Cinch, Narrow wide 34t direct mount ring, 170mm on S, 175mm on

M/L/XL

CHAIN / KMC X11L

CASSETTE / SRAM XG1180 10-42 t, black

RIMS / ALPHA Trail 650B wheelset, 26mm rim, handbuilt, tubeless ready

HUBS / ALPHA 32h, sealed bearings light version

SPOKES / Spoke Steel 1,8mm black - nipple brass 12mm black

TIRES / Front : MAXXIS Ardent 2.25, 60 Tpi, Kevlar Bead, Tubeless ready Rear : MAXXIS Ikon 2.2, 60

Tpi, Kevlar Bead,

Tubeless ready

SEATPOST / Alloy No offset one piece design, Ø31,6mm, 350mm

SADDLE / COMMENCAL Meta Trail by Velo, Crmo rails

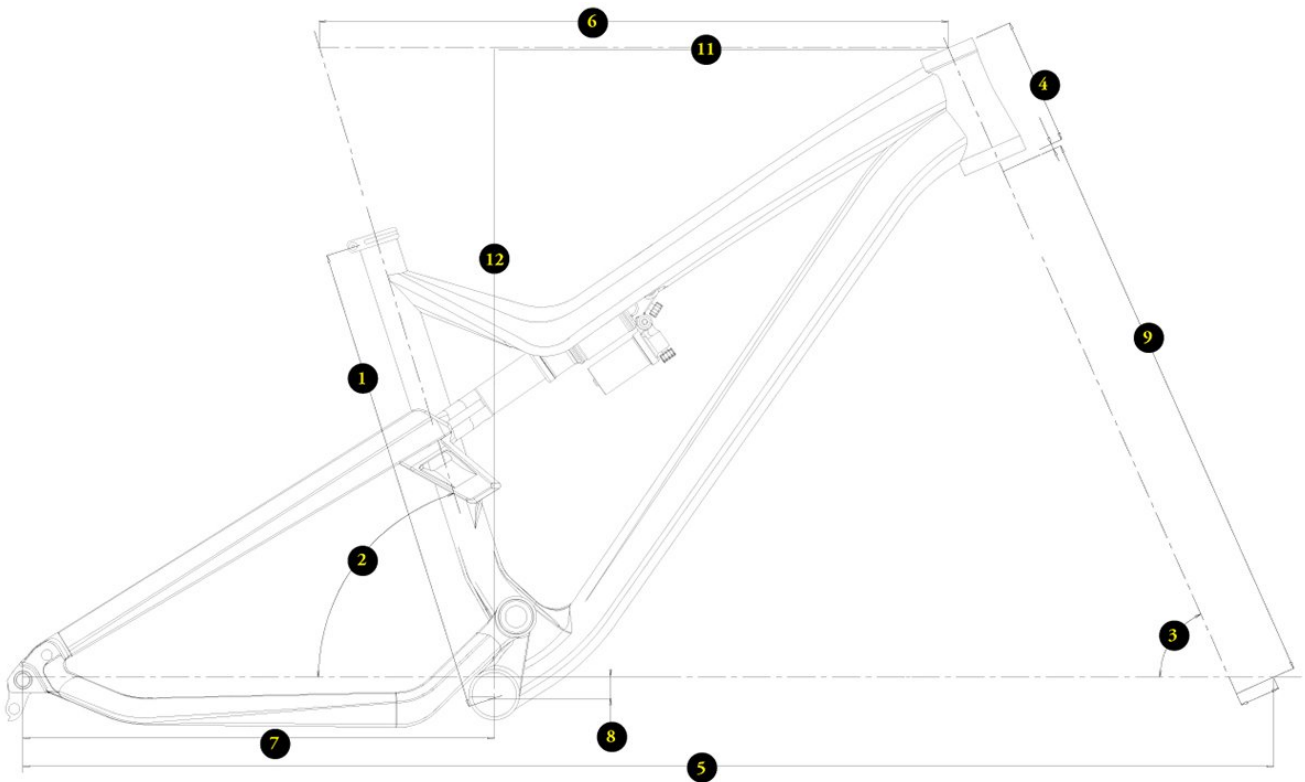
ACCESSORIES / Chainstay protector

COLOUR / Orange Neon/Black or Full Black, Matt finish

BIKE WEIGHT(kg/lbs) / 11,6 kg

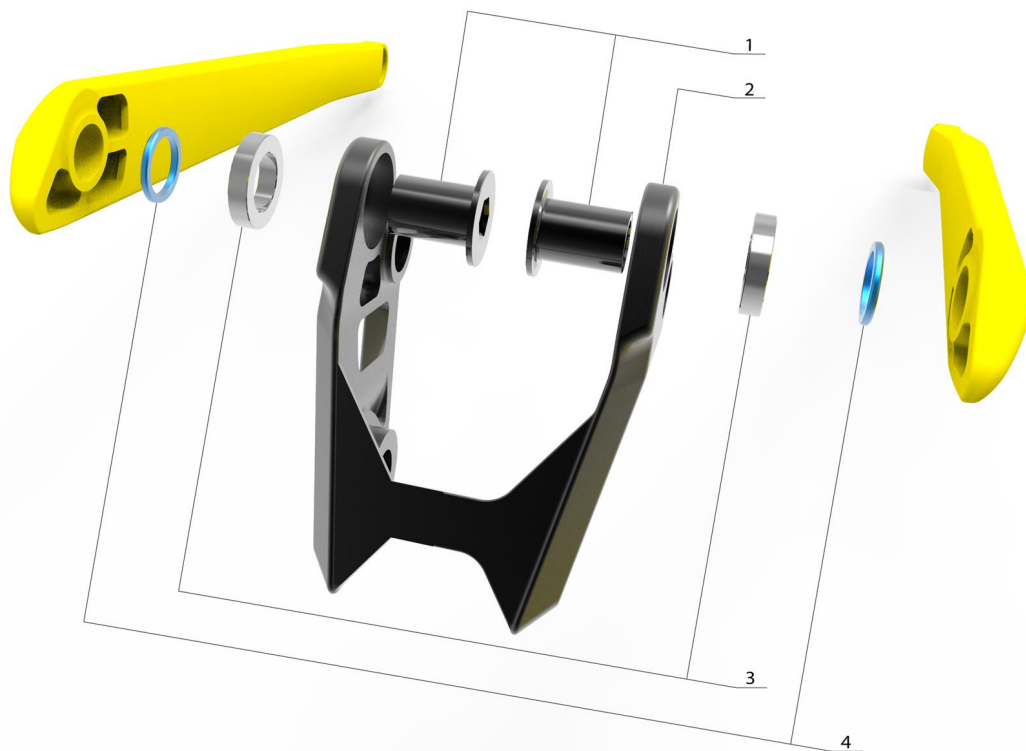
FRAME WEIGHT(kg/lbs) /

## GEOMETRIE



TAILLE	1 - LONGUEUR TUBE DE SELLE	2 - ANGLE TUBE DE SELLE	3 - ANGLE DE DIRECTION	4 - HAUTEUR DE DOUILLE	5 - EMPATTEMENT	6 - LONGUEUR TUBE SUPERIEUR	7 - LONGUEUR BASES	8 - HAUTEUR BOITIER DE PEDALIER	9 - HAUTEUR DE FOURCHE	10 - HAUTEUR A L'ENTREJAMBE	11 - PROJETE HORIZONTAL BB/TT	12 - PROJETE VERTICAL BB/TT
S	400,0	74,0	67,5	110,0	1133,0	580,0	437,0	-25,0	507,0	680,0	417,0	581,0
M	440,0	74,0	67,5	115,0	1154,0	600,0	437,0	-25,0	507,0	690,0	436,0	586,0
L	490,0	74,0	67,5	120,0	1179,0	625,0	437,0	-25,0	507,0	700,0	460,0	590,0
XL	520,0	74,0	67,5	125,0	1204,0	650,0	437,0	-25,0	507,0	735,0	483,0	595,0

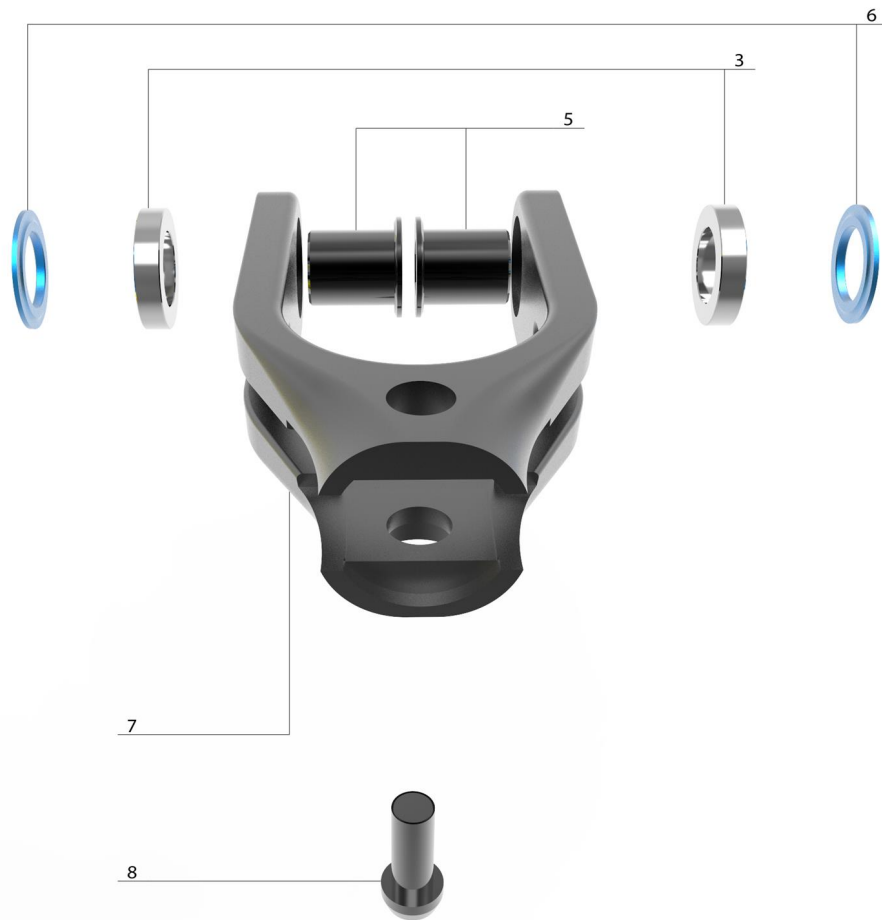
Contact System









Index Ref	Nom	Photo
1	W15AXLELIST SCREWS KIT LINKAGE/SEASTAY FOR META 2015 10-15 N.m for original Rocker	
2	W15MTR4ROCKER BASCULEUR META TR V4	
3	W21EBMETAV42 ENDURO BEARINGS META V4 / V4.2 2 x 6804 / 4 x 6800 / 6 x 6802	
4	W17M42WASHERCKSS WASHER ROCKER / SEAT STAYS META V4.2	

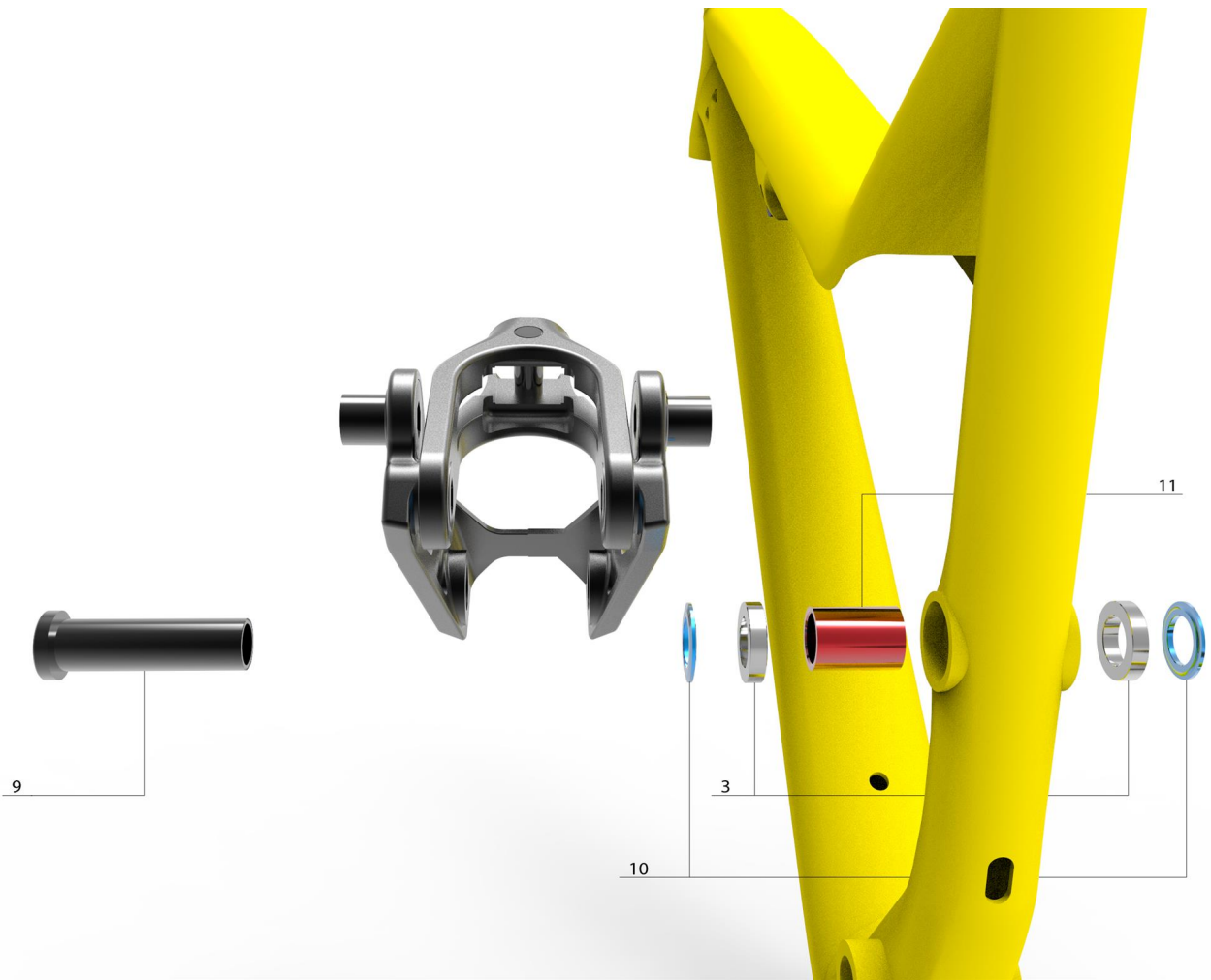
## Contact System 2

---



Index Ref	Nom	Photo
3	W21EBMETAV42 ENDURO BEARINGS META V4 / V4.2	2 x 6804 / 4 x 6800 / 6 x 6802 
5	W15AXLELICL AXES BASCULEUR / PIED AMORTISSEUR META V4 ET V4.2	10-15 N.m 
6	W17M42WASHERCKCL WASHER ROCKER / CLEVIS META V4.2	
7	W15CLEVISMETAV4SM META AM V4 CLEVIS S/M	
7	W15CLEVISMETAV4LXL META AM V4 CLEVIS L/XL	
8	W15AXLESHCL AXE AMORTISSEUR / PIED AMORTISSEUR META V4 ET V4.2	9 N.m 




## Contact System 3



Index Ref	Nom	Photo
10	W17M42WASHERRKST WASHER ROCKER / SEAT TUBE META V4 AND V4.2	
11	W17M4SPACERRCK ENTRETOISE INTERNE BASCULEUR META V4	
3	W21EBMETAV42 ENDURO BEARINGS META V4 / V4.2	2 x 6804 / 4 x 6800 / 6 x 6802
9	W15AXLELIFT AXE BASCULEUR / TUBE DE SELLE META V4	10-15 N.m

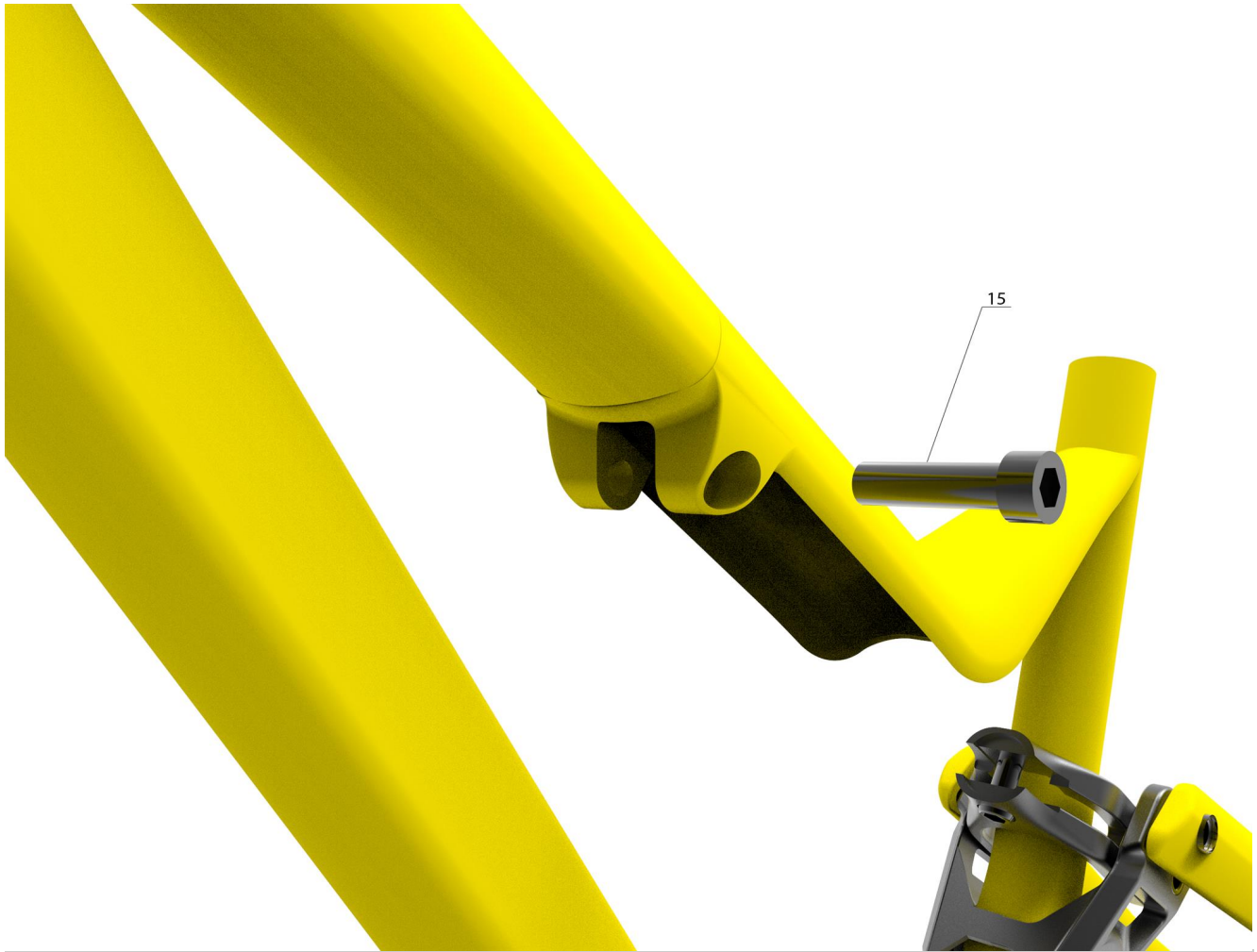
## Chainstays / Seatstays




Index Ref	Nom	Photo
12	<b>W15WASHSTKIT</b> WASHER KIT SEASTSTAY/CHAINSTAY FOR META FROM 2015	
13	<b>W21EBMETAV42</b> ENDURO BEARINGS META V4 / V4.2	2 x 6804 / 4 x 6800 / 6 x 6802 
14	<b>W15AXLESTCS</b> AXLE KIT CHAINSTAY SEATSTAY FOR META FROM 2015	10-15 N.m 

TopTube

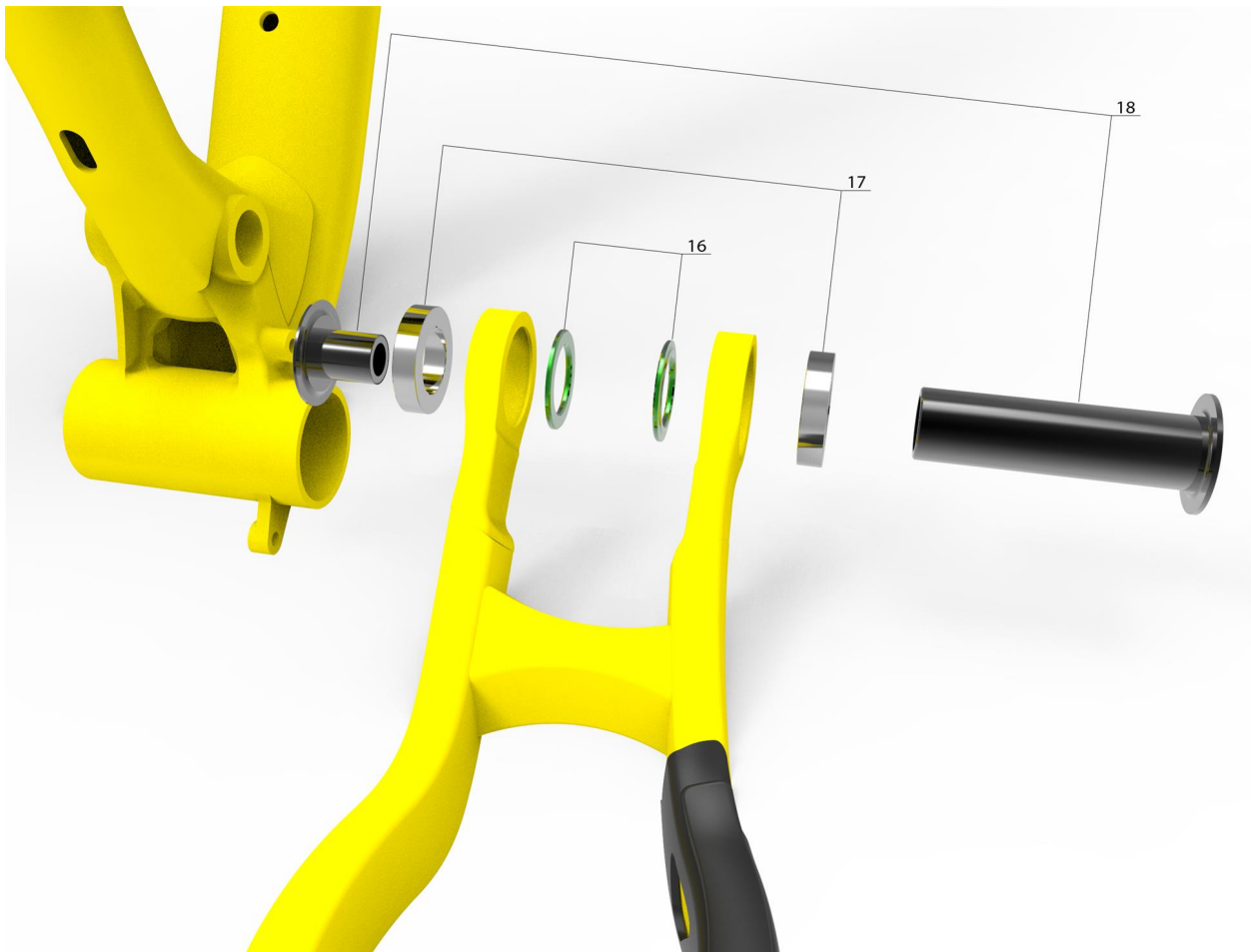
---






Index	Ref	Nom	Photo
15	W15AXLESHTT	AXLE SHOCK/TOP TUBE FOR META V4	9-12 N.m 

## Main Pivot

---





Index Ref	Nom	Photo
16	<b>W15WASHMNPVT</b> WASHERS FOR MAIN PIVOT FOR META FROM 2015	
17	<b>W21EBMETAV42</b> ENDURO BEARINGS META V4 / V4.2 2 x 6804 / 4 x 6800 / 6 x 6802	
18	<b>W15AXLEMNPVT</b> MAIN PIVOT AXLE KIT FOR META FROM 2015 30-35 N.m	

## Chainstay Protector

---



Index	Ref	Nom	Photo
19	W15RHRMETA	REAR HANGER FOR META HT / V4 / V4.2 / POWER	15 N.m 
20	A16CSTPROTECTORV4	CHAINSTAY PROTECTOR FOR META V4	

## PARTS

### Jeu de Direction

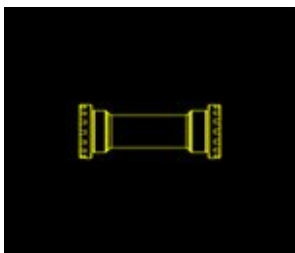


ZS44 / 28,6 - ZS56 / 40

Acheter

## Boitier de pédalier

---



PressFit BB92

[Acheter](#)

## Patte de dérailleur

---



W15RHRMETA

[Acheter](#)

## Corps de roue libre

---



**FLOWTRAIL**  
XD - Alloy

[Acheter](#)



Une question ?

• par téléphone : (+376) 73 74 93 de 9H à 19H, du Lundi au vendredi

• par e-mail : [customerservice@commencal.com](mailto:customerservice@commencal.com)

