
COMMENCAL META AM V4 RACE PLUS 650B ROCKSHOX YELLOW 2015



<https://tech.commencal.com/tech/index.php?fiche=218&lang=>

SPECS

FRAME / NEW 2015 META AM 650b, Travel 150mm, 6066 Triple Butted hydroformed, Integrated Postmount, Top tube channel, integrated housing

SHOCK / ROCKSHOX Monarch Plus RC3 Debonair, 200x57, Travel 150mm, 3 positions Lock/Platform/Open

FORK / ROCKSHOX Pike RCT3 Solo Air 160mm, 15mm axle, Tapered

HEADSET / Semi integrated, tapered ZS44/56, 1.5 crown race, sealed bearing, alloy cups

STEM / ALPHA, Alloy 2014 Forged, 50mm, 0° rise, Ø31,8mm - NEW -

BAR / ALPHA, Alloy 7075 double butted, 20mm rise, 750mm, Ø31,8mm

GRIPS / COMMENCAL lock on, Ø30mm, soft compound, Neon Yellow logo

BRAKES / SRAM Guide RS 200mm/180mm, with matchmaker - NEW -

SHIFTERS / SRAM X1 1x11 spd

REAR MECH / SRAM X1 11 spd Type II

BOTTOM BRACKET / RACE FACE BB92, sealed bearings

CRANKS / RACE FACE Turbine Cinch, Narrow wide 34t direct mount ring, 170mm on S, 175mm on M/L/XL

CHAIN / KMC X11L, silver

CASSETTE / SRAM XG1180 10-42 t, black

RIMS / Alpha 650B, 32H, 28mm, Tubeless ready

TIRES / **Front / Rear : MAXXIS High Roller II 2.3, 60 Tpi, Kevlar Bead, Tubeless ready - NEW -**

SEATPOST / RockShox Reverb Stealth, 125mm travel, Ø31,6mm, 380mm

SADDLE / COMMENCAL Meta AM, Crmo rails

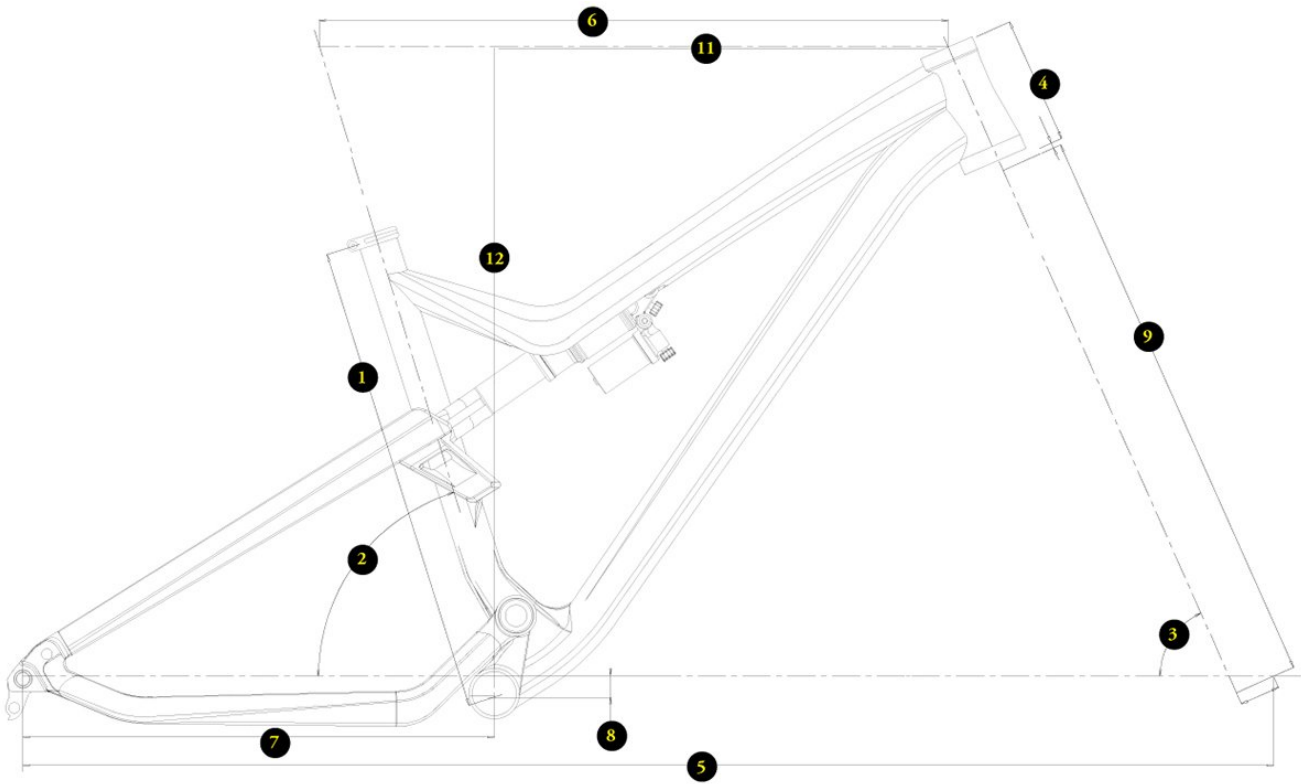
ACCESSORIES / Chainstay protector

COLOUR / Yellow Neon, Black Matt finish

BIKE WEIGHT(kg/lbs) / 13,3 kg

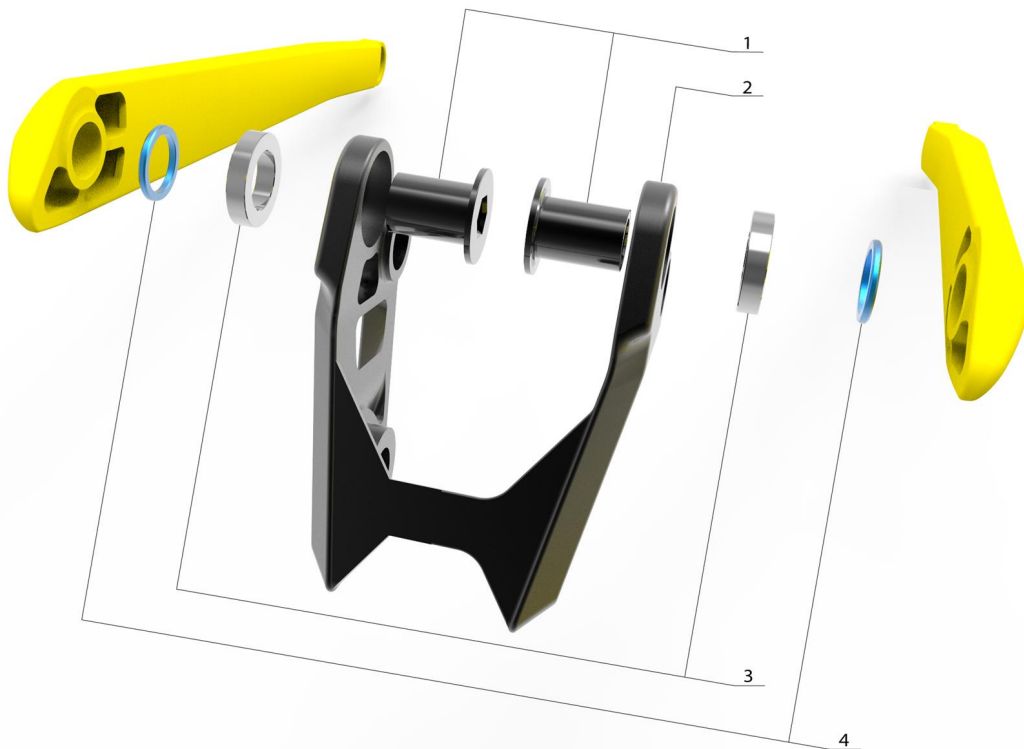
FRAME WEIGHT(kg/lbs) / 3,15 kg / 1,42 lbs

GEOMETRIE



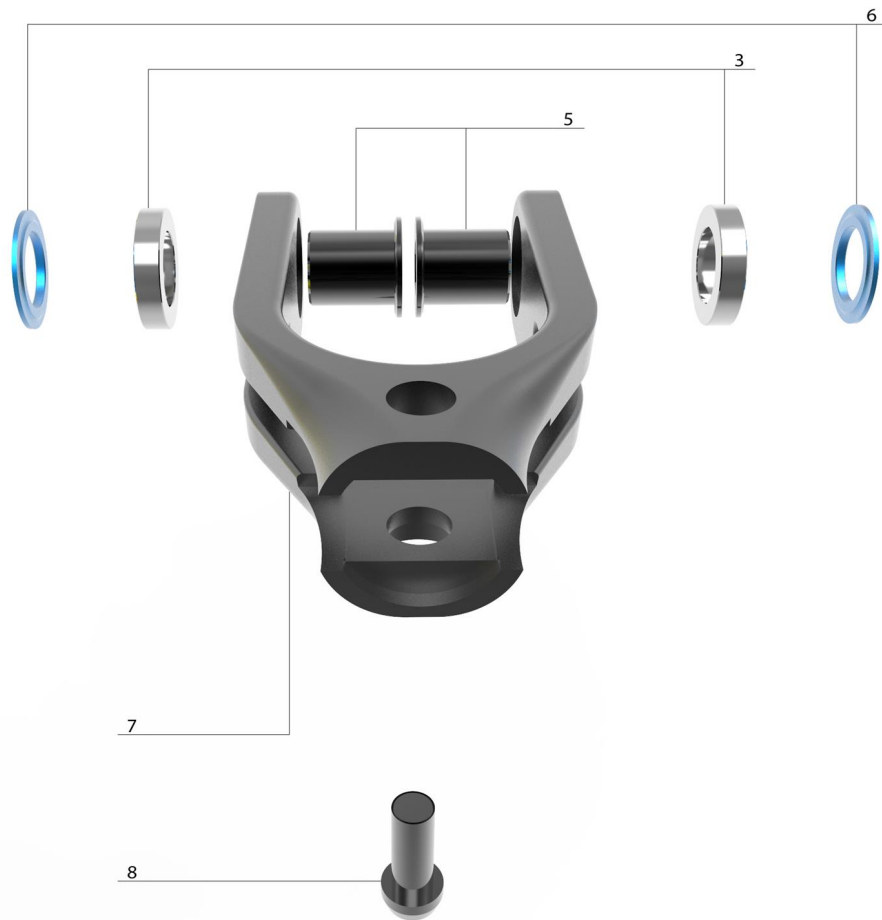
TAILLE	1 - LONGUEUR TUBE DE SELLE	2 - ANGLE DE TUBE DE SELLE	3 - ANGLE DE DIRECTION	4 - HAUTEUR DE DOUILLE	5 - EMPATTEMENT	6 - LONGUEUR TUBE SUPERIEUR	7 - LONGUEUR BASES	8 - HAUTEUR BOITIER DE PEDALIER	9 - HAUTEUR DE FOURCHE	10 - HAUTEUR A L'ENTREJAMBE	11 - PROJETE HORIZONTAL BB/TT	12 - PROJETE VERTICAL BB/TT
S	400,0	74,0	66,0	110,0	1144,0	570,0	437,0	-12,0	544,0	705,0	403,0	596,0
M	440,0	74,0	66,0	115,0	1167,0	591,0	437,0	-12,0	544,0	715,0	423,0	601,0
L	490,0	74,0	66,0	120,0	1193,0	618,0	437,0	-12,0	544,0	743,0	448,0	605,0
XL	520,0	74,0	66,0	125,0	1225,0	650,0	437,0	-12,0	544,0	750,0	466,0	610,0







Contact System



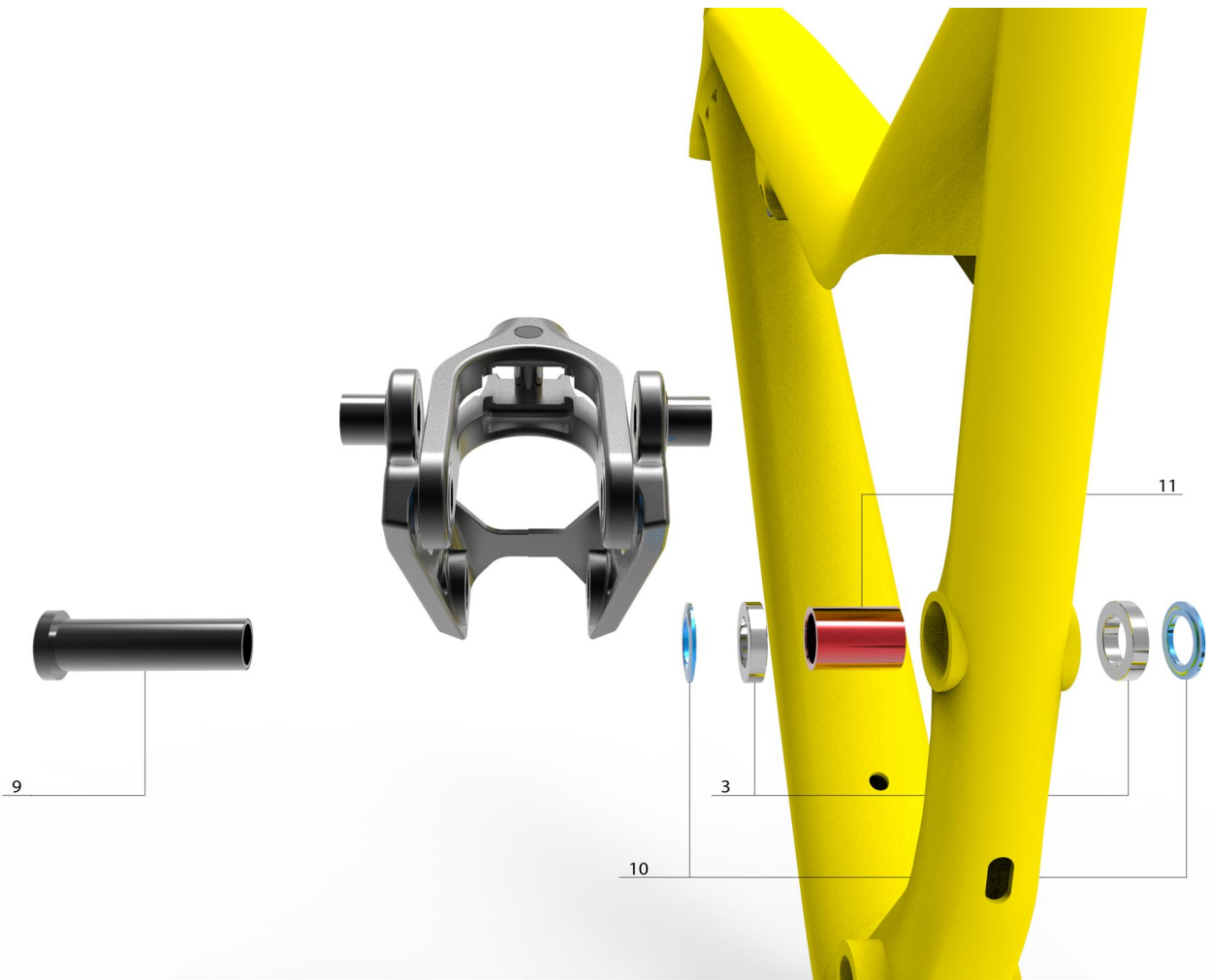
Index Ref	Nom	Photo
1	W15AXLELIST SCREWS KIT LINKAGE/SEASTAY FOR META 2015 10-15 N.m for original Rocker	
2	W15ROCKERMETA ROCKER LINK FOR META AM V4	
3	W21EBMETAV42 ENDURO BEARINGS META V4 / V4.2 2 x 6804 / 4 x 6800 / 6 x 6802	
4	W17M42WASHERCKSS WASHER ROCKER / SEAT STAYS META V4.2	

Contact System 2



Index Ref	Nom	Photo
3	W21EBMETAV42 ENDURO BEARINGS META V4 / V4.2	2 x 6804 / 4 x 6800 / 6 x 6802 
5	W15AXLELICL AXES BASCULEUR / PIED AMORTISSEUR META V4 ET V4.2	10-15 N.m 
6	W17M42WASHERCKCL WASHER ROCKER / CLEVIS META V4.2	
7	W15CLEVISMETAV4SM META AM V4 CLEVIS S/M	
7	W15CLEVISMETAV4LXL META AM V4 CLEVIS L/XL	
8	W15AXLESHCL AXE AMORTISSEUR / PIED AMORTISSEUR META V4 ET V4.2	9 N.m 

Contact System 3



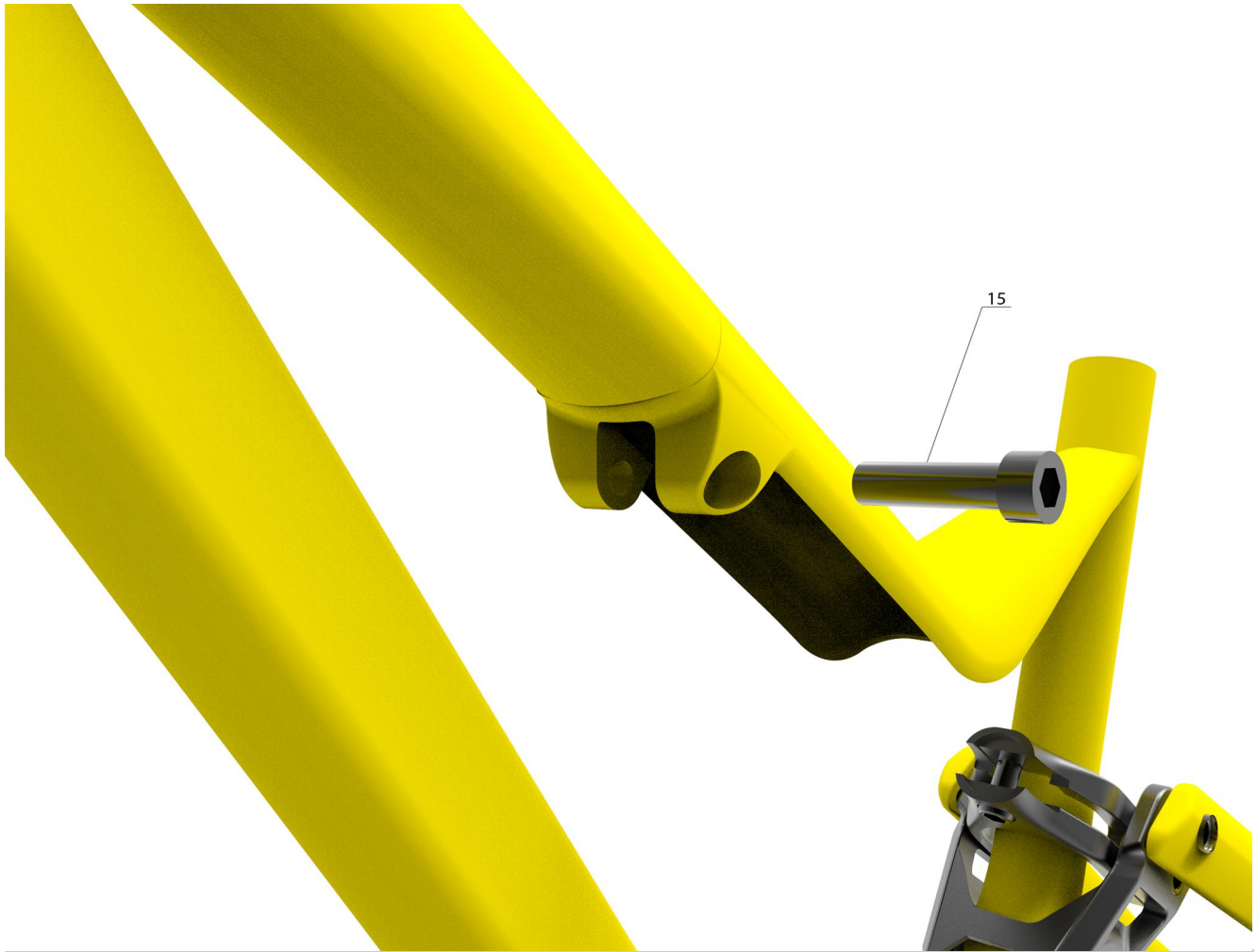
Index Ref	Nom	Photo
10	W17M42WASHERRKST WASHER ROCKER / SEAT TUBE META V4 AND V4.2	
11	W17M4SPACERRCK ENTRETOISE INTERNE BASCULEUR META V4	
3	W21EBMETAV42 ENDURO BEARINGS META V4 / V4.2	2 x 6804 / 4 x 6800 / 6 x 6802
9	W15AXLELIFT AXE BASCULEUR / TUBE DE SELLE META V4	10-15 N.m


Chainstays / Seatstays



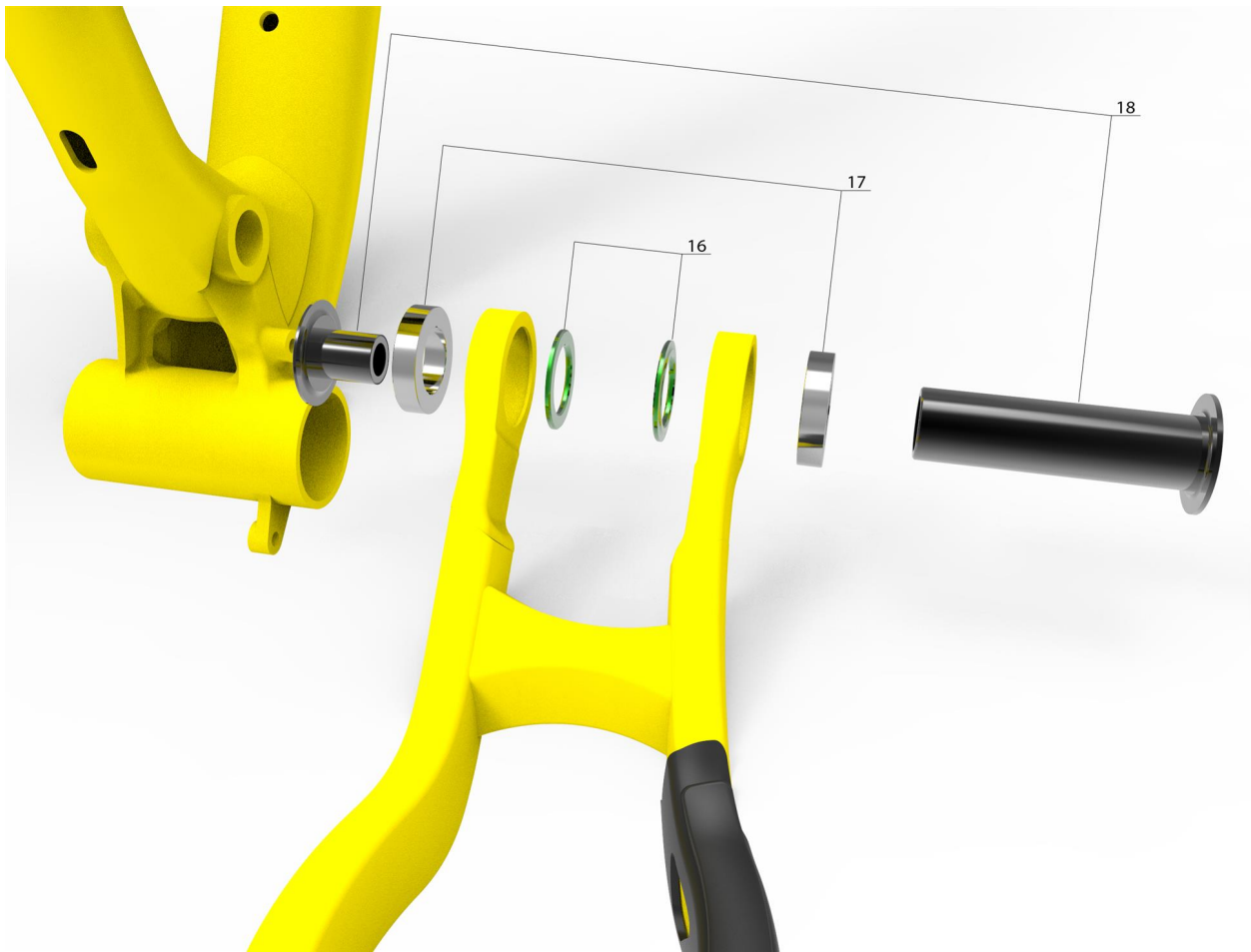
Index Ref	Nom	Photo
12	W15WASHSTKIT WASHER KIT SEASTSTAY/CHAINSTAY FOR META FROM 2015	
13	W21EBMETAV42 ENDURO BEARINGS META V4 / V4.2	2 x 6804 / 4 x 6800 / 6 x 6802
14	W15AXLESTCS AXLE KIT CHAINSTAY SEATSTAY FOR META FROM 2015	10-15 N.m




TopTube



Index	Ref	Nom	Photo
15	W15AXLESHTT	AXLE SHOCK/TOP TUBE FOR META V4	9-12 N.m 



Main Pivot



Index Ref	Nom	Photo
16	W15WASHMNPVT WASHERS FOR MAIN PIVOT FOR META FROM 2015	
17	W21EBMETAV42 ENDURO BEARINGS META V4 / V4.2	2 x 6804 / 4 x 6800 / 6 x 6802 
18	W15AXLEMNPVT MAIN PIVOT AXLE KIT FOR META FROM 2015	30-35 N.m 

Chainstay Protector



Index	Ref	Nom	Photo
19	W15RHRMETA	REAR HANGER FOR META HT / V4 / V4.2 / POWER	15 N.m 
20	A16CSTPROTECTORV4	CHAINSTAY PROTECTOR FOR META V4	

PARTS

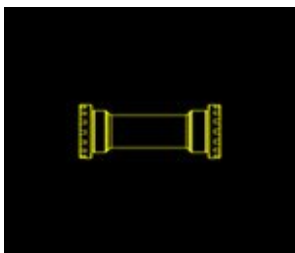
Jeu de Direction



ZS44 / 28,6 - ZS56 / 40

Acheter

Boitier de pédalier



PressFit BB92

[Acheter](#)

Patte de dérailleur



W15RHRMETA

[Acheter](#)

Corps de roue libre



D882SB-X12-AS11
XD - Steel

[Acheter](#)



Une question ?

• par téléphone : (+376) 73 74 93 de 9H à 19H, du Lundi au vendredi

• par e-mail : customerservice@commencal.com

