

2014

UPTOWN CRMO 1 AUTOMATIX 2014



SPECS

FRAME New 2014 UPTOWN CrMo 29, disc version, internal brake housing path  
 FORK UPTOWN 29 CrMo fork disc  
 HEADSET NECO 1 1/8 integrated, campy style, sealed bearings  
 STEM COMMENCAL uptown CrMo 50mm ø25,4mm  
 BAR COMMENCAL CrMo, 2 rise, ø25,4mm, 640mm  
 GRIPS COMMENCAL by Velo  
 BRAKES TEKTRO HDC330 hydraulic disc brake 160mm/160mm, with reach adjustment  
 REAR MECH SRAM Automatix 2 speed  
 BOTTOM BRACKET NECO square 68mm  
 CRANKS LASCO alloy 170mm 36t  
 CHAIN YABAN halfink black  
 COG DICTA 17t  
 RIMS JALCO 29 single wall disc 36h front / 32h rear  
 HUBS JOYTEC disc 36h front, loose ball bolt version / sram automatix 32h rear  
 SPOKES Steel 1,8mm ed black - steel 12mm black  
 TIRES VITTORIA tatoo 29x2.30  
 SEATPOST COMMENCAL alloy no offset ø27,2mm, 350mm  
 SADDLE COMMENCAL by Velo

SIZES S / M / L / XL

COLOUR Neon Pink Matt Finish

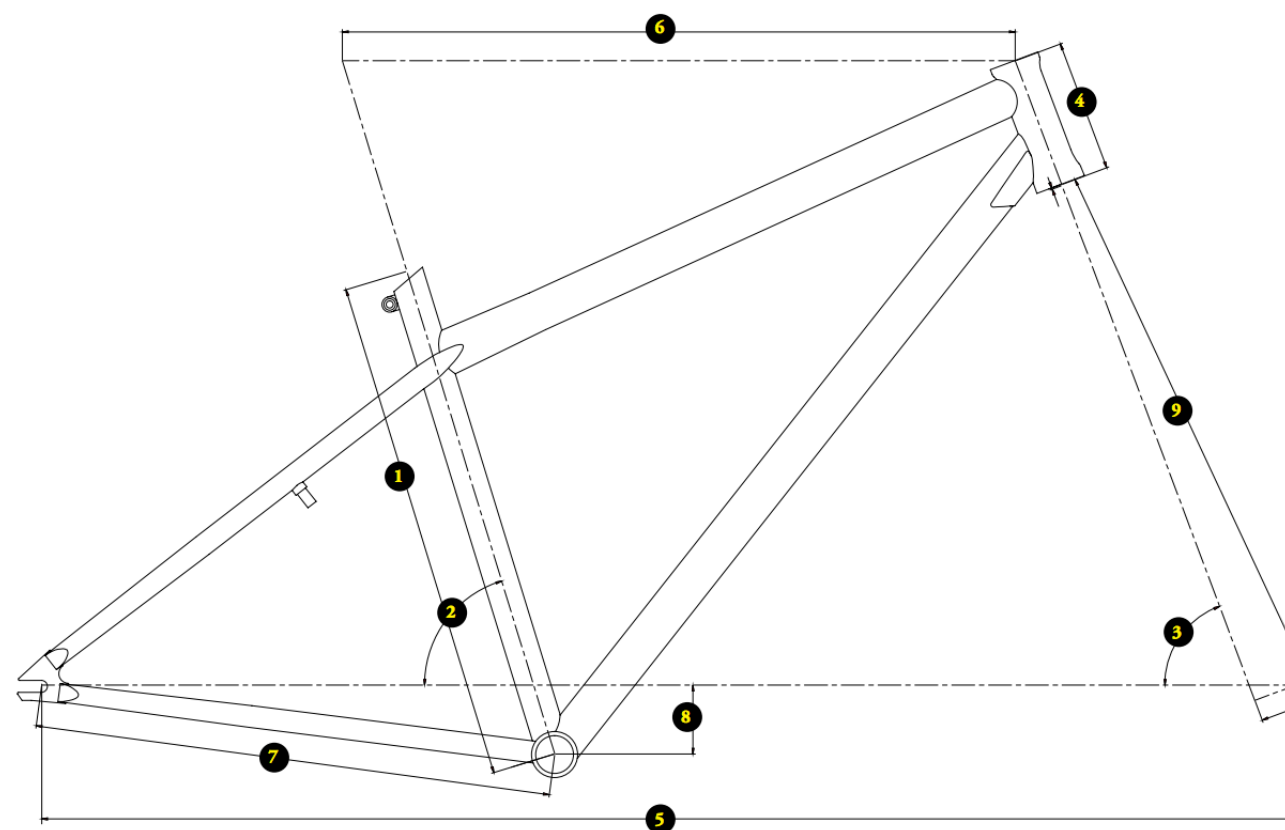
BIKE WEIGHT(kg/lbs) 14,70

FRAME WEIGHT(kg/lbs) N/A

NOTE WELLGO nylon, low profile pedals, alloy anodised fender kit, LEZYNE femto light kits

VIP frame available & Frame available

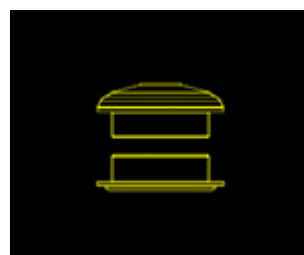
GEOMETRY



SIZE	1 - SEAT TUBE LENGTH	2 - SEAT TUBE ANGLE	3 - HEAD TUBE ANGLE	4 - HEAD TUBE LENGTH	5 - WHEELBASE	6 - TOP TUBE LENGTH	7 - CHAIN STAY LENGTH	8 - BOTTOM BRACKET HEIGHT	9 - FORK LENGTH	10 - STANDOVER HEIGHT	11 - REACH	12 - STACK
S	400,0	73	69,5	110,0	1080,0	570,0	450,0	-60,0	480,0	730,0		
M	440,0	73	69,5	115,0	1095,0	585,0	450,0	-60,0	480,0	760,0		
L	490,0	73	69,5	125,0	1111,0	605,0	450,0	-60,0	480,0	790,0		
XL	520,0	73	69,5	130	1136	630	450	-60,0	480,0	810		

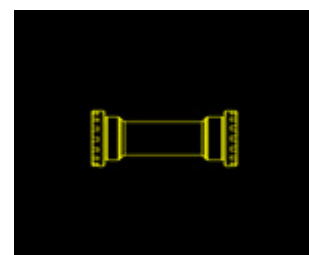
PARTS

Headset



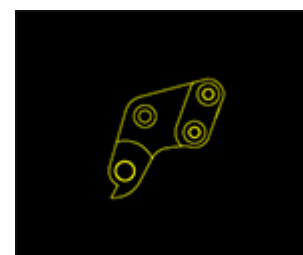
EC34 / 28,6 - EC34 / 30

Bottom Bracket

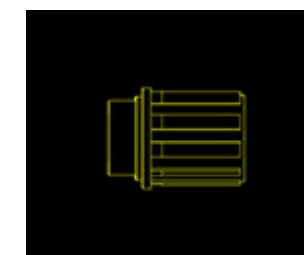


BSA 68mm

Rear hanger



FreeHub Body



SRAM AUTOMATIX