

2014

SUPREME DH WORLD CUP 650b 2014



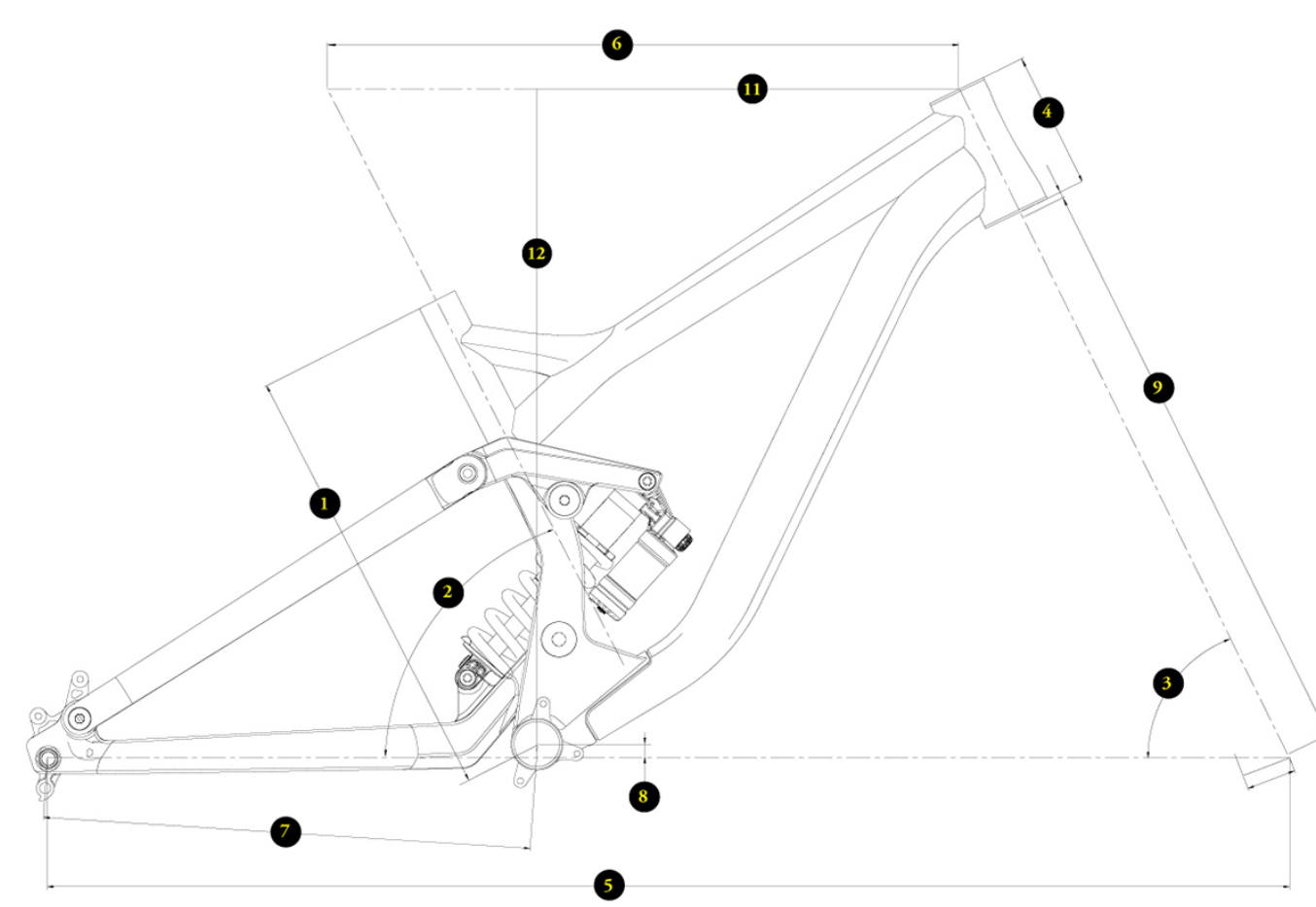
SPECS

FRAME SUPREME DH 7005 650B, alloy hydroformed, light version internal routing, 190mm travel.
 SHOCK FOX DHX RC4 kashima, 250lbs on size S, 300lbs on size M, 350lbs on size L
 FORK FOX 40 RC2 fit kashima 200mm 650B, qr20
 HEADSET NECO semi integrated, tapered z54/56, 1 1/8" lower washer sealed bearings
 STEM FSA Gravity light integrated stem
 BAR ALPHA, alloy 7075 db, 0.75" rise, 780mm, ø31,8mm
 GRIPS commencal 2014 lock on, outside ø30mm, soft comp.
 BRAKES FORMULA the one s 200mm/200mm with X0 matchmaker
 SHIFTERS SRAM x0 1x10 speed
 CHAIN DEVICE e-13 LG1 with bash
 REAR MECH SRAM x0 type 2 10 speed
 BOTTOM BRACKET RACE FACE Pressfit 107mm sealed bearings
 CRANKS RACE FACE Atlas Stealth, 36th 170mm
 CHAIN YABAN SH10CR, with quick link connector
 CASSETTE SRAM pg1050 11-26t
 RIMS ALPHA 650B 32h double wall, tubeless ready 31mm sleeved joint handbuilt
 HUBS ALPHA 32h sealed bearings 6 pawls fast engagement alloy cassette body
 SPOKES ALPHA Race 2/1.8/2mm black - alloy 14mm black, lockseal handbuilt
 TIRES MAXXIS High Roller II 650Bx2.40, 2 ply, triple compound
 SEATPOST COMMENCAL alloy no offset ø31,6mm, 300mm
 SADDLE circuit COMMENCAL by s4g, CrMo rails

SIZES S / M / L
 COLOUR Neon Yellow Matt Finish
 BIKE WEIGHT (kg/lbs) 16.20
 FRAME WEIGHT (kg/lbs) N/A
 NOTE SUPREME Chainstay protector, rear shock mudguard

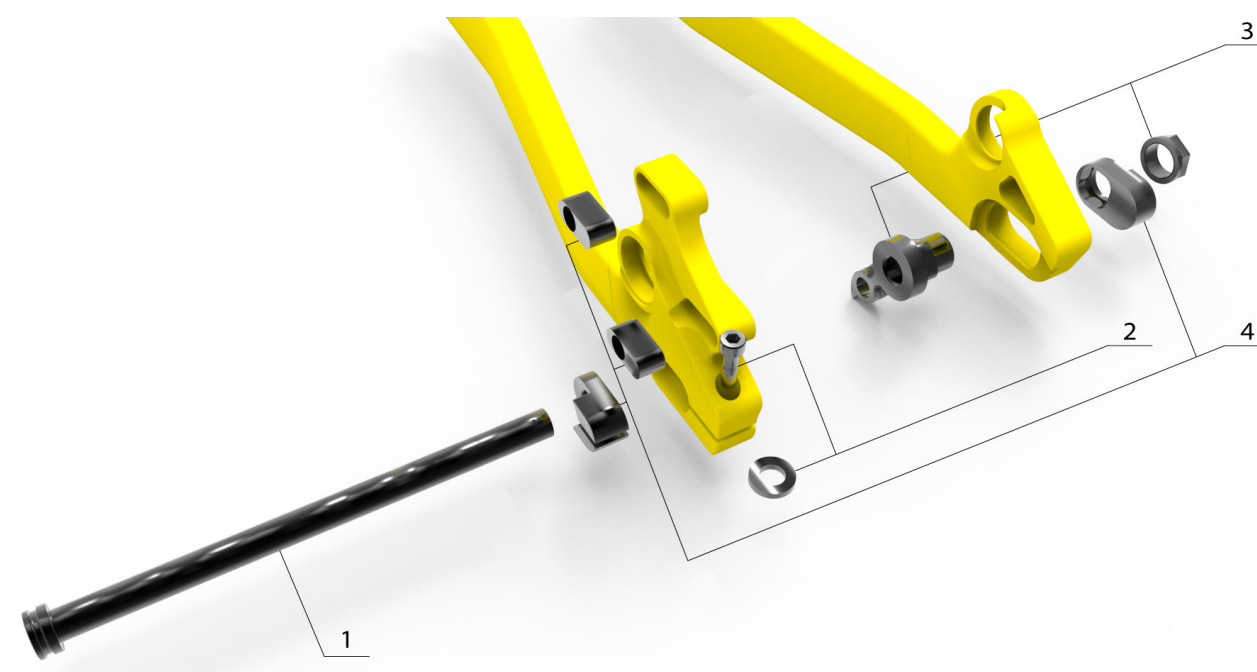
Frame available

GEOMETRY



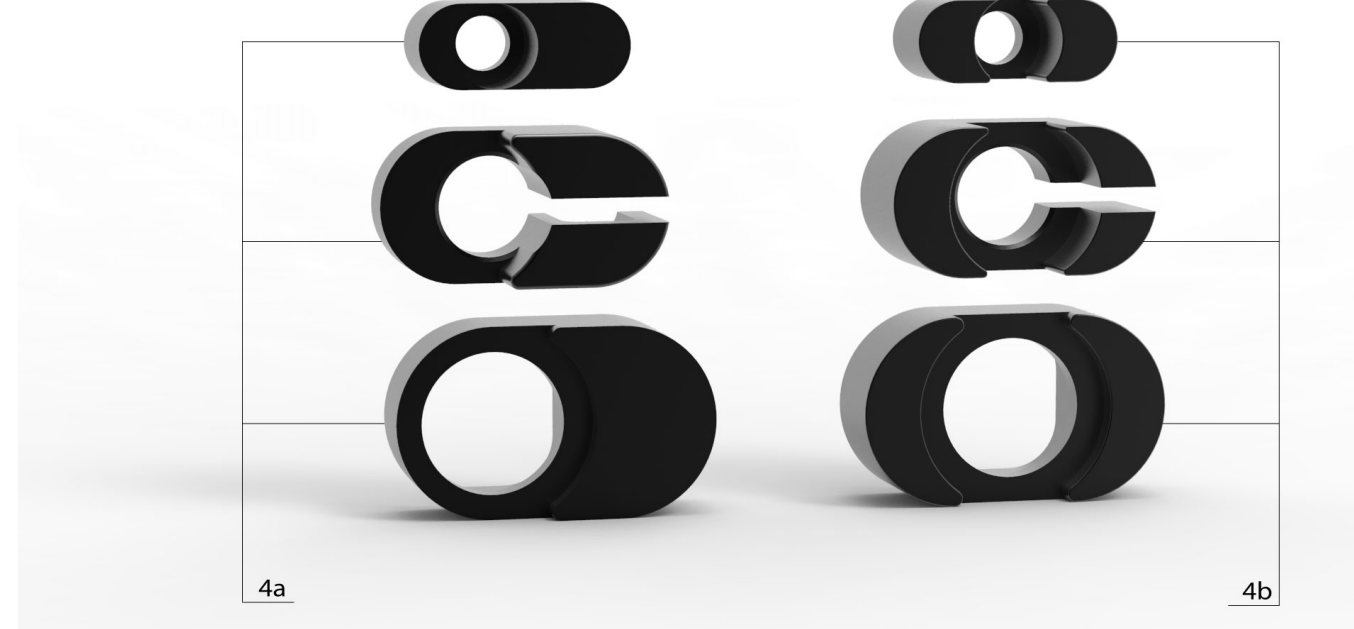
SIZE	1 - SEAT TUBE LENGTH	2 - SEAT TUBE ANGLE	3 - HEAD TUBE ANGLE	4 - HEAD TUBE LENGTH	5 - WHEELBASE	6 - TOP TUBE LENGTH	7 - CHAIN STAY LENGTH	8 - BOTTOM BRACKET HEIGHT	9 - FORK LENGTH	10 - STANDOVER HEIGHT	11 - REACH	12 - STACK
S	400.0	62.5	63.8	120.0	1125.0	1195.0	575.0	447.5	447.5	454.5	71.0	655.0
M	400.0	62.5	63.8	120.0	1196.0	1203.0	593.0	447.5	447.5	454.5	71.0	655.0
L	400.0	62.5	63.8	120.0	1208.5	1215.5	606.0	447.5	447.5	454.5	71.0	655.0
XL	400.0	62.5	63.8	120.0	1228.5	1235.5	626.0	447.5	447.5	454.5	71.0	655.0

Dropouts



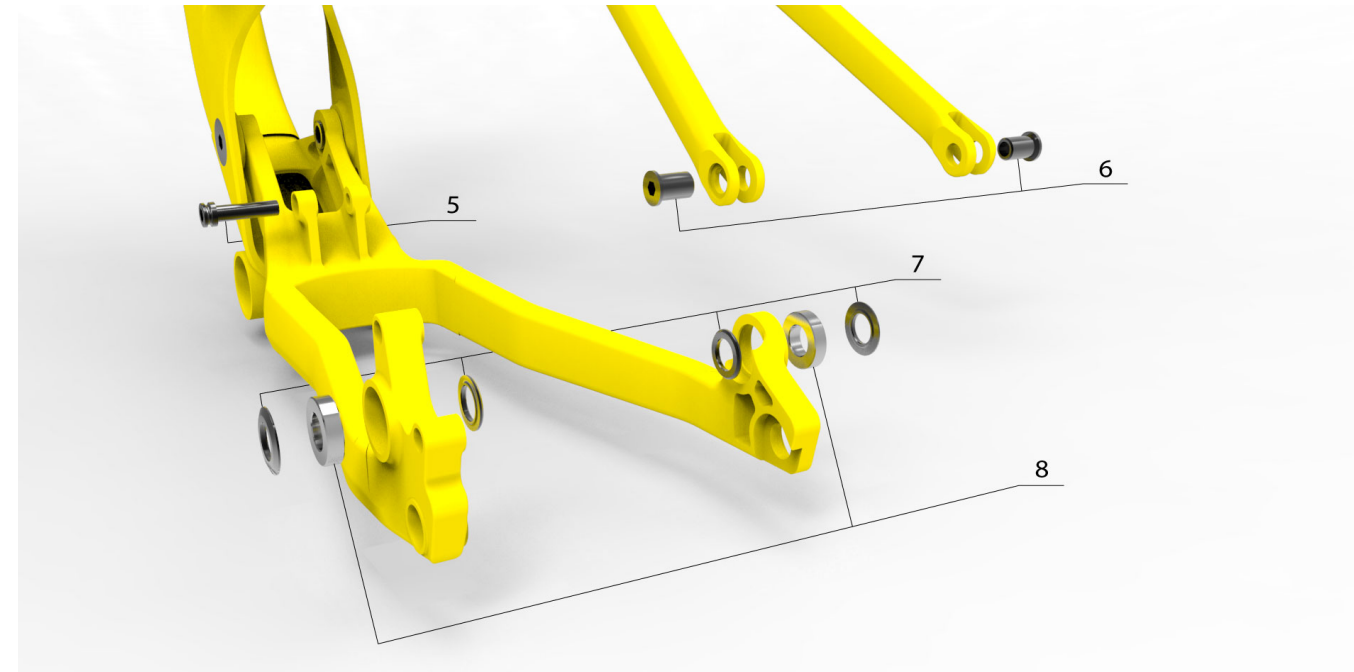
Index	Ref	Nom	Photo
1	W12AXLEWHEEL	AXE ROUE ARRIERE - SUPREME DH V3	10-12 N.m
3	W12RHRSUPDH	PATTE DE DERAILLEUR POUR SUPREME DH V3	20-25 N.m
4	W12FLIP	KIT AJUSTEMENT LONGUEUR BASES +/- 7.5 MM SUPREME DH V3	

Adjustable Inserts



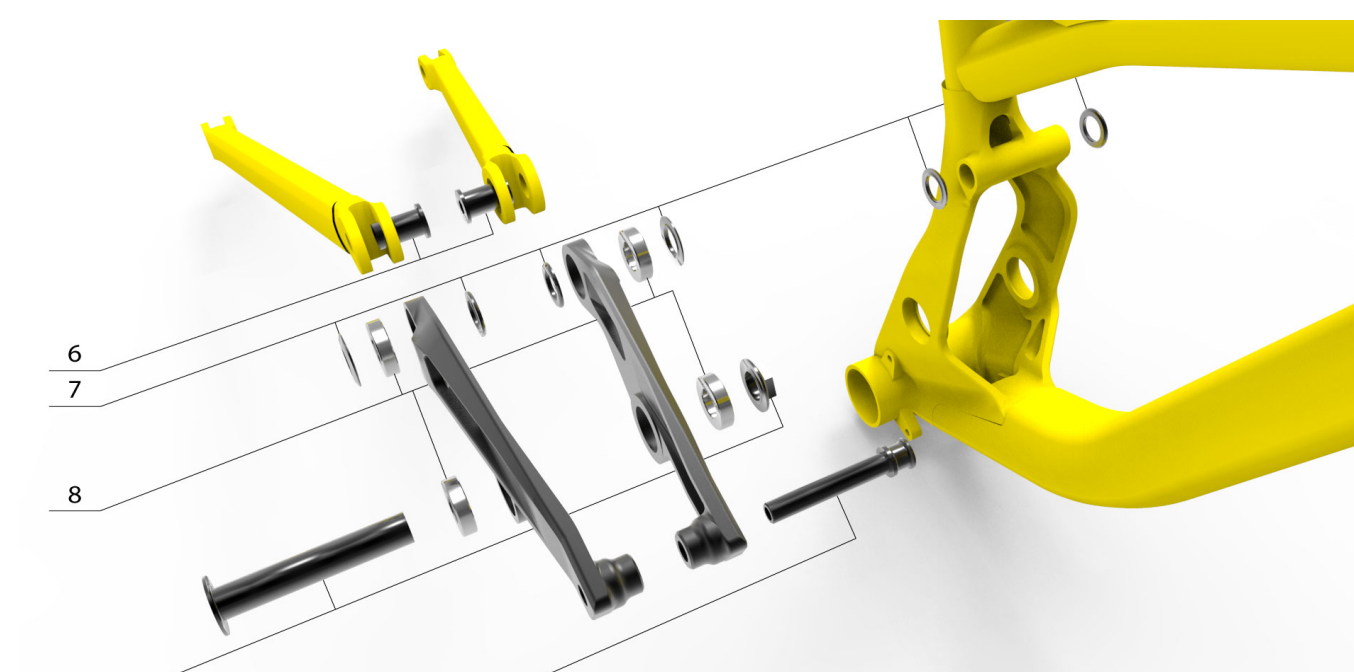
Index	Ref	Nom	Photo
4a	W12FLIP	KIT AJUSTEMENT LONGUEUR BASES +/- 7.5 MM SUPREME DH V3	
4b	W12FLIPCENTER	KIT AJUSTEMENT LONGUEUR BASES POSITION CENTRALE SUPREME DH V3	

Rear Triangle



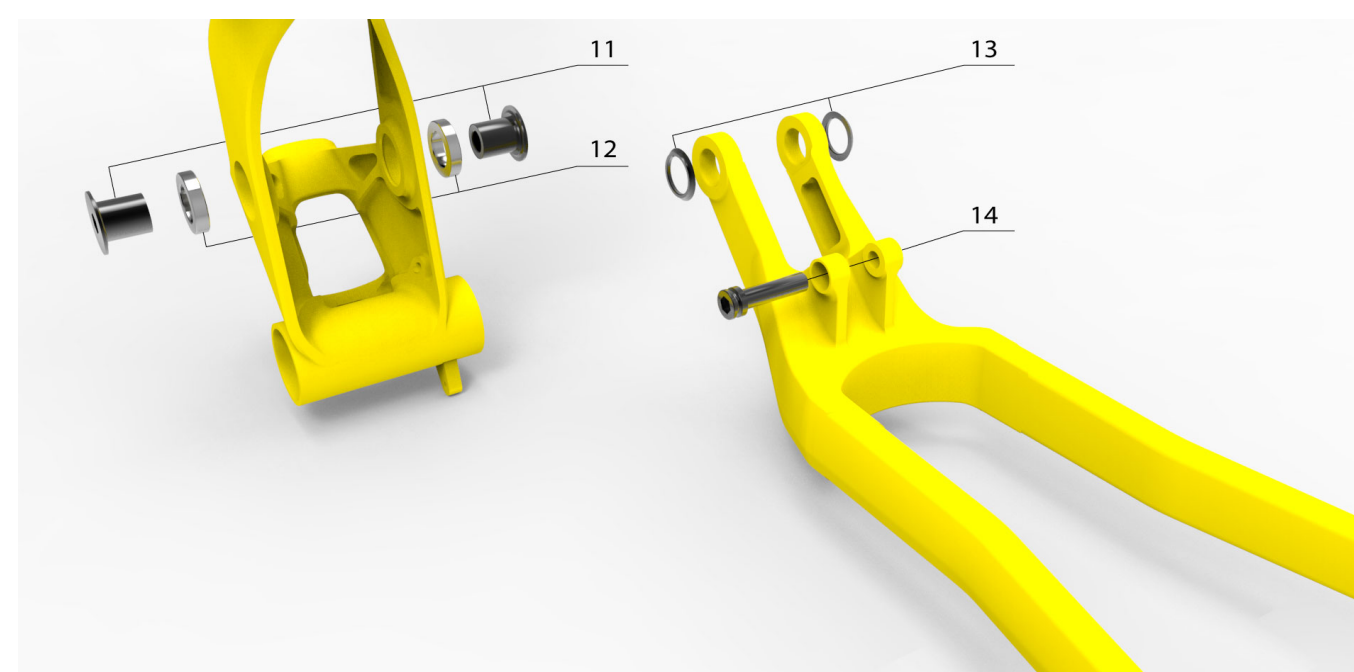
Index	Ref	Nom	Photo
5	W12AXLESHYO	AXE AMORTISSEUR / TRIANGLE ARRIERE SUPREME DH V3 / META V3	12 N.m
6	W12AXLESSCH	AXES CONTACT SYSTEM META V3 ET SUPREME V3	10-15 N.m
7	W12WASHCHST	KIT RONDELLES CONTACT SYSTEM META V3 ET SUPREME V3	
8	W21EBFURIOUS	ROULEMENTS ENDURD BEARINGS META V3, SUPREME DH V3, V4, FR3, CLASH	2 x Ø804 / 6 x Ø902

Contact System



Index	Ref	Nom	Photo
10	W12AXLESHLI	AXE AMORTISSEUR / BASCULEUR SUPREME DH V3 / META V3	12 N.m
6	W12AXLESSCH	AXES CONTACT SYSTEM META V3 ET SUPREME V3	10-15 N.m
7	W12WASHCHST	KIT RONDELLES CONTACT SYSTEM META V3 ET SUPREME V3	
8	W21EBFURIOUS	ROULEMENTS ENDURD BEARINGS META V3, SUPREME DH V3, V4, FR3, CLASH	2 x Ø804 / 6 x Ø902
9	W12AXLELINK	AXE BASCULEUR / TRIANGLE AVANT + VIS POUR SUPREME DH V3 et META V3	10-15 N.m

Main Pivot



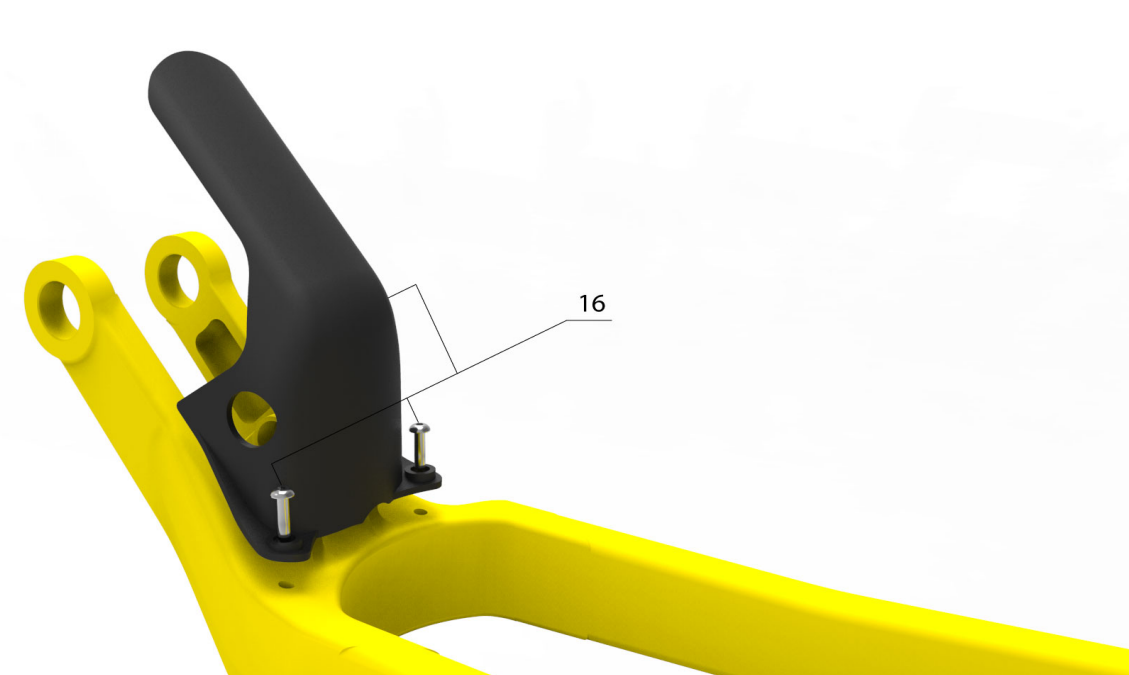
Index	Ref	Nom	Photo
11	W12AXLEMNPVT	KIT AXES PIVOT PRINCIPAL SUPREME DH V3 / META V3	30-35 N.m
12	W21EBFURIOUS	ROULEMENTS ENDURD BEARINGS META V3, SUPREME DH V3, V4, FR3, CLASH	2 x Ø804 / 6 x Ø902
13	W12WASHKITMP	RONDELLES PIVOT PRINCIPAL META V3 ET SUPREME V3	
14	W12AXLESHYO	AXE AMORTISSEUR / TRIANGLE ARRIERE SUPREME DH V3 / META V3	12 N.m

Rocker



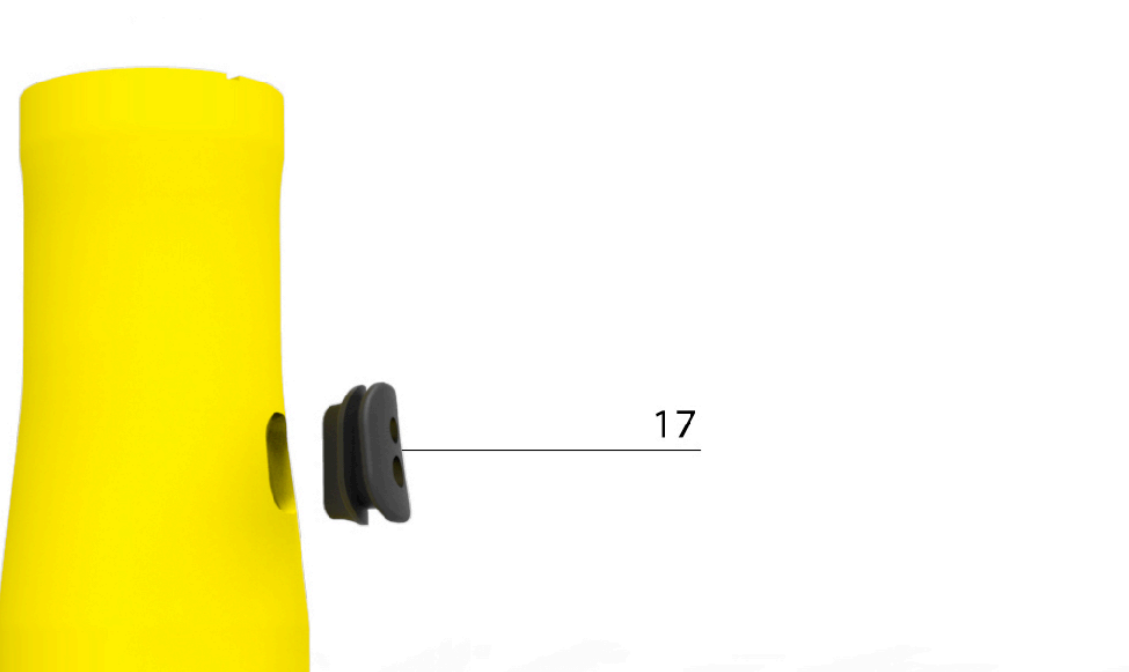
Index	Ref	Nom	Photo
15c	W14ROCKDH650B	BASCULEUR SUPREME DH V3 650B	

Mudguard



Index	Ref	Nom	Photo
16	W12MUDGUARD	GARDE BOUE POUR SUPREME DH V3 / SUPREME FR	

Headtube



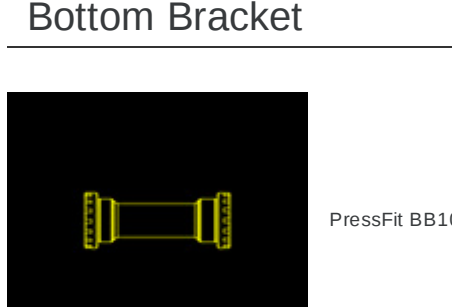
Index	Ref	Nom	Photo
17	W12HTSEAL	EMBOUTS EN CADOUTCHOU PASSAGE DE CABLE INTERNE POUR SUPREME ET META	

PARTS

Headset



Bottom Bracket



Rear hanger



FreeHub Body

